

# HOT FEED

Information on New Products from Cole Hersee Company

## **NEW** SureStart™ Automatic Low Voltage Disconnect Switch

Electronically senses battery voltage and conserves starting power. Prolongs battery life by preventing battery damage.

### Features & Benefits

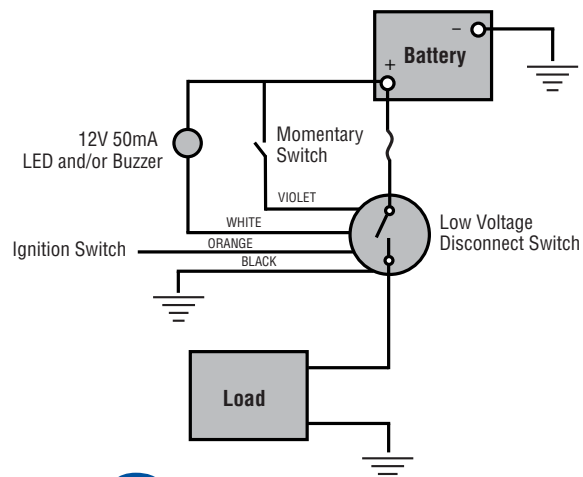
- Overcurrent, short-circuit and over-temperature protections offer safe and reliable operation.
- Eliminates contact wear and extends service life to  $\geq 1,000,000$  On-Off cycles.
- Resistant to vibration and mechanical shock.
- Withstands contamination from moisture, dust and salt spray.
- Draws minimal quiescent current of 2mA.
- Pre-disconnect warning is provided by a visual or audible alarm (sold separately).
- Built-in "snooze timer" allows one hour override (factory programmable).
- *Automatically* disconnects non-critical loads from a battery when the battery voltage falls below a predefined threshold. *Automatically* reconnects the loads to the battery when the battery is being charged. *Automatically* prevents the loads from disconnecting during starting. An optional ignition override input is also provided.
- Manual override option permits a user to make or break the connection, regardless of the battery voltage. (Switch sold separately).



<b>48512</b>	<b>150A</b>	<b>12V</b>
<b>48510</b>	<b>200A</b>	<b>12V</b>

### Specifications

- Environmental:  $-40^{\circ}\text{C}$  to  $85^{\circ}\text{C}$ . SAE J1455 & J1113
- Electrical: 150A or 200A continuous. Inrush: 500A (for 5 seconds). 2mA max quiescent current.
- Ignition-proof to ISO 8846.
- Disconnects when battery drops below 12.1V for 2 minutes, reconnects when battery meets or exceeds 13.0V for 10 seconds. (Factory programmable)
- Alarm: Active low, 50mA. Activates 1 minute before disconnect. (Factory programmable)
- Accuracy:  $\pm 100\text{mV}$
- Electronics sealed to IP67.



 **Cole Hersee Co.**

20 Old Colony Avenue, Boston, MA USA 02127-2467 • (617) 268-2100 • Fax (617) 268-9490

See our interactive product catalog at [www.colehersee.com](http://www.colehersee.com)

All specifications and information is subject to change without notice.

©Copyright  
Cole Hersee Co.  
D-614  
Rev 00