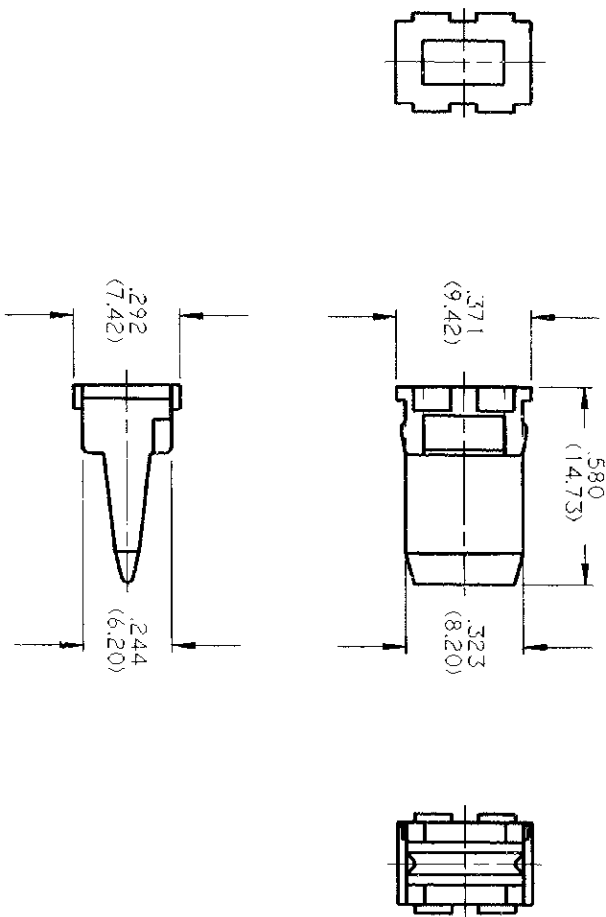


REV A
WAP

REVISIONS

SYM	DESCRIPTION	DATE	APPROVED
NC	NEW RELEASE PER E.O. A09299	2/9/90	JA
A	REVISED PER E.O. P15887	2-15-74	BJR



- NOTES:
1. ALL DIMENSIONS ARE IN INCHES UNLESS OTHERWISE SPECIFIED.
 2. ALL DIMENSIONS +/- .025 (.63) UNLESS OTHERWISE SPECIFIED
 3. CONSULT FACTORY FOR APPLICATION.
 4. COLOR OF MATERIAL: GREEN.
 5. MATES WITH DT04-4P-****.

DR	CJWOODRUFF 08FEB90	SIGNATURE & DATE
CHK	<i>[Signature]</i> 2-8-74	
PE	<i>[Signature]</i> 2-8-74	
APP'D	<i>[Signature]</i> 2-15-74	
SCALE	NONE	WT
<p>WEDGE LOCK FOR 4 WAY RECEPTACLE D.T. SERIES ENVELOPE</p>		
CP		MATL CODE
<p>The Deutsch Company DEUTSCH I.P.D. 37140 INDUSTRIAL AVE HEMET, CALIF. 92343</p>		<p>WAP</p>
DWG SIZE	11x3 1/2	SHEET 1 OF 1