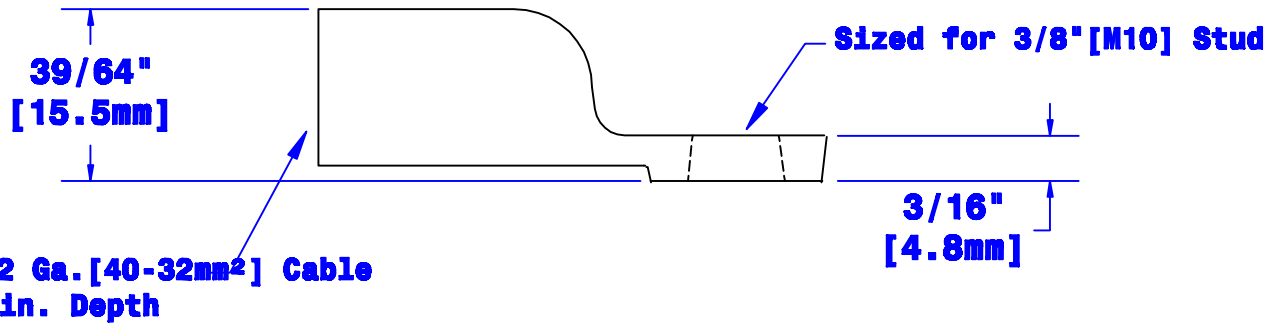
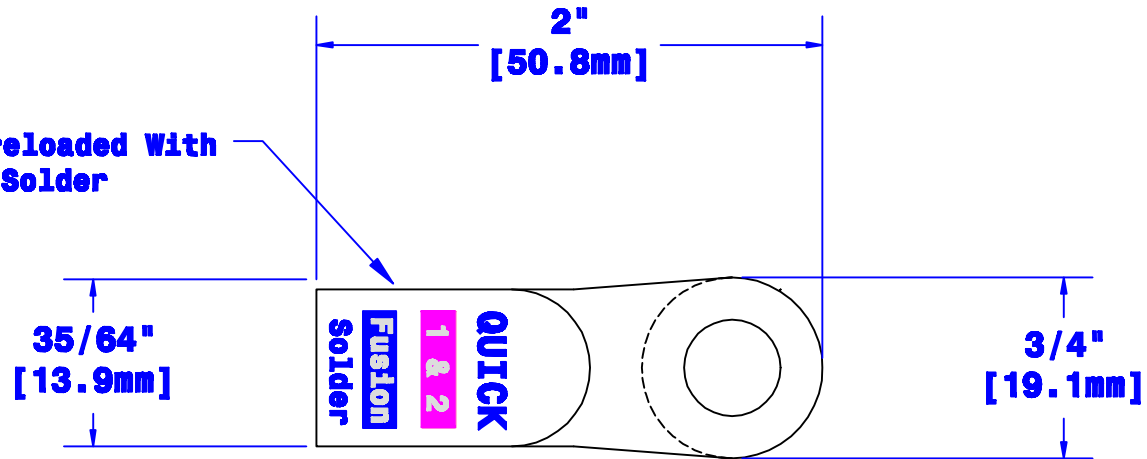


Barrel Preloaded With Flux and Solder



Property of QUICK CABLE 3700 Quick Dr. Frankville WI	TITLE Die Cast Lug, Fusion 1&2 Ga. for 3/8" Stud [40-32mm ²] [M10]	
	PART # 486301F	
	Drawing # 486301F-Info	REV A
Material & Treatment High Conductivity Copper Alloy Tin Plated		Sheet 1 of 1

				Drawn By Jim H	Date 8-30-04	Checked By Mike E	Scale None
				Tolerances, unless otherwise noted Dimensions are reference only			
Rev A	Date 08-02-08	ECN# 1044	By JMH	Description Reverse taper on stud hole			