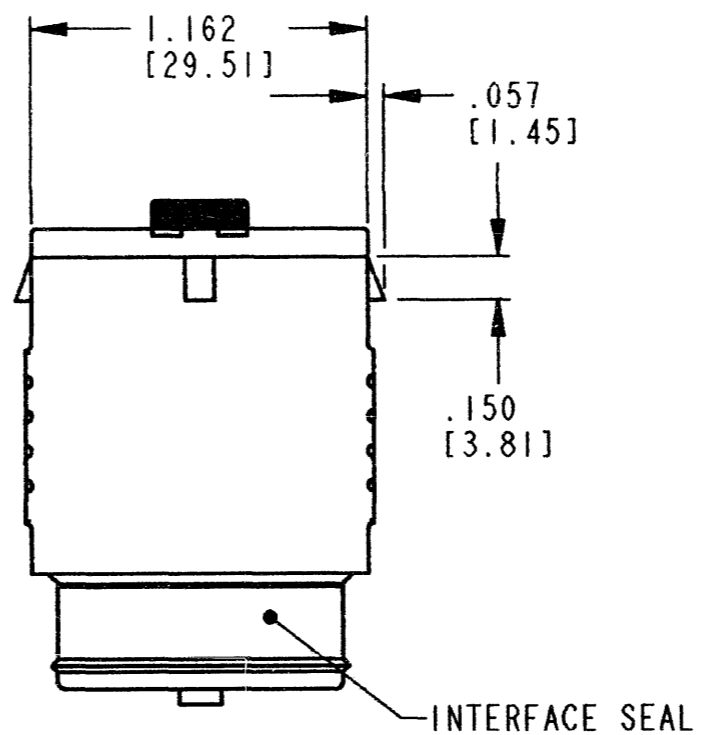
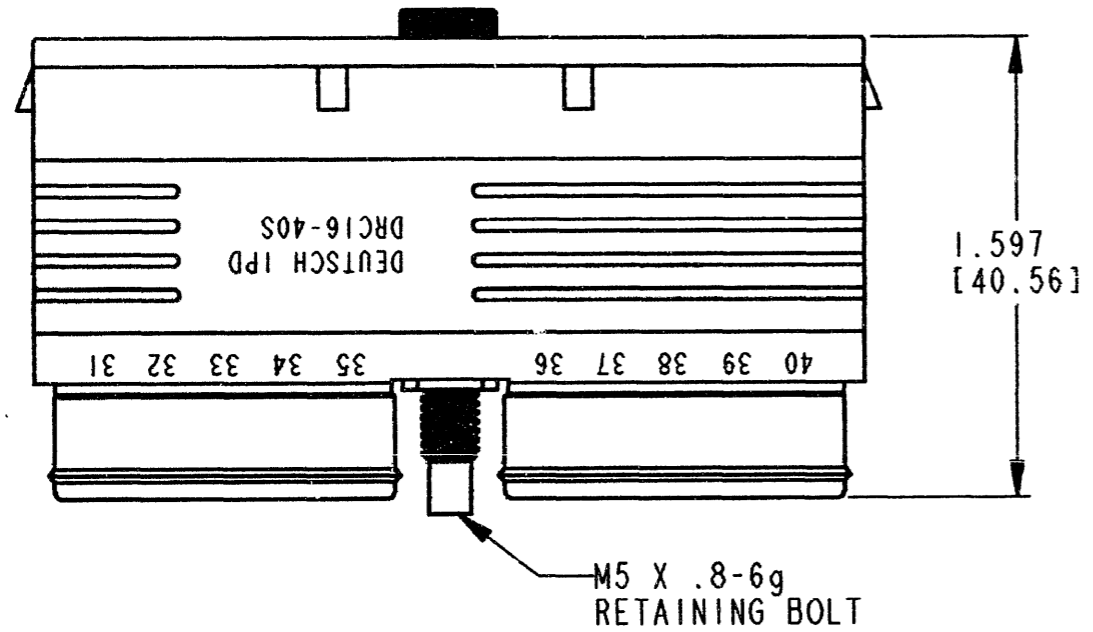
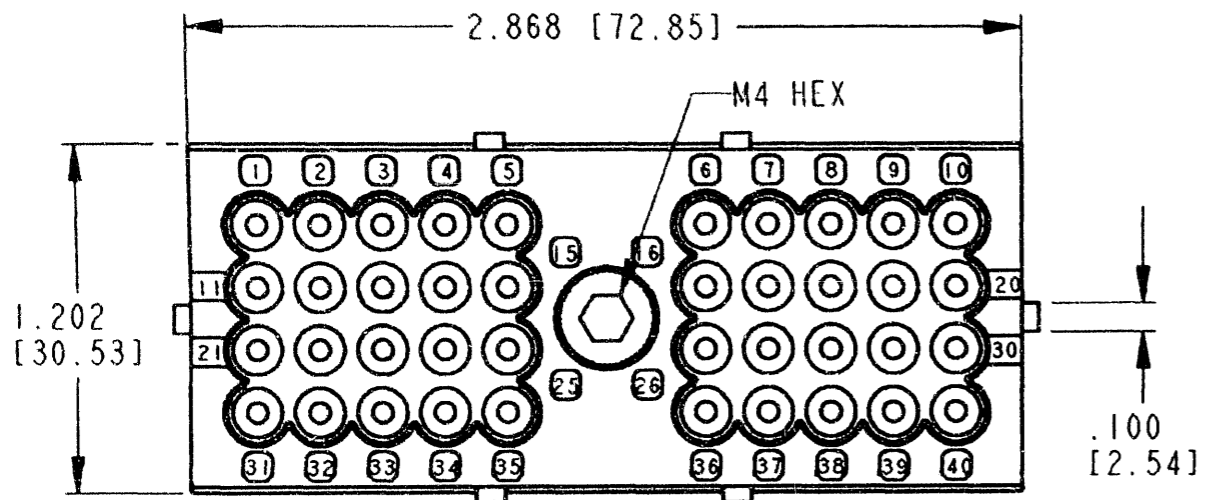


REV H DRC16-40S

| REVISIONS | | | |
|-----------|-------------------------|----------|-----------|
| SYM | DESCRIPTION | DATE | APPROVED |
| E | REVISED PER E.O. A13805 | 05-12-92 | J. ALBERS |
| F | REVISED PER E.O. P16760 | 7-24-00 | R.D.R. |
| G | REVISED PER E.O. P17727 | 4-15-02 | R.D.R. |
| H | REVISED PER E.O. P19166 | 2-21-06 | RDR |



- 7. MATERIAL- PLUG: PLASTIC (BLACK); SEAL/GROMMET: RUBBER; BOLT/CLIP: STEEL.
- 6. MATING TORQUE REQUIREMENT: 25-28 in-lb (2.82-3.16 Nm).
- 5. THIS PLUG MATES WITH DRC10-40P-****; DRC12-40P*E-****; DRC13-40P*-****; DRC14-40P*E-****. CONSULT FACTORY FOR MODIFICATIONS.
* = A, B, C, D KEYS
**** = MODIFICATIONS

| CONTACT SIZE | MIN. INSUL. OD [mm] | MAX. INSUL. OD [mm] | WIRE RANGE [mm ²] REF ONLY [△] |
|--------------|---------------------|---------------------|---|
| 16 | .100 [2.54] | .134 [3.40] | 14-18 AWG [2.0-.75] |

△ FOR CONTACTS AND WIRE PERFORMANCE AND APPLICATION CHARACTERISTICS, SEE ENVELOPE DRAWING 0425-015-0000.

- 3. PLUG SUPPLIED WITH DUST CAP. (NOT SHOWN).
 - 2. DIMENSION TOLERANCE: ±.025 [.635].
 - 1. DIMENSIONS ARE IN INCHES [mm].
- NOTES:

| SIGNATURE & DATE | |
|------------------|------------------------|
| DR | J. APOSTOL 11 JUL 2000 |
| CHK | B. Byford 2/14/06 |
| PE | D. Meyer 2/14/06 |
| APPD | R. Reed 2-21-06 |
| SCALE | NONE WT |

**DRC CONNECTOR
PLUG 40 CONTACTS**

ENVELOPE

| | |
|---|-----------------------|
| CP | MATL. CODE |
| The Deutsch Company DEUTSCH I.P.D. 3850 INDUSTRIAL AVE. HEMET, CALIF. 92545 | |
| B | DRC16-40S |
| DWG SIZE | CODE 11139 SHEET OF |