

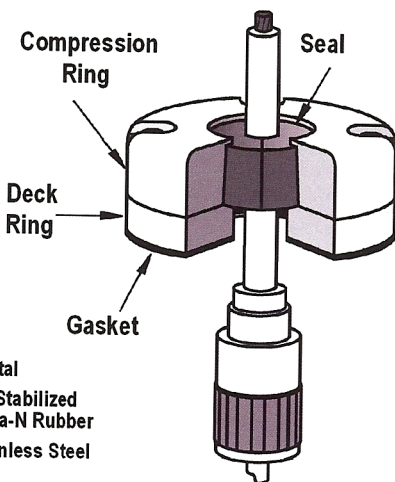
CableClam

Features

- Waterproof co-axial installation without removing connectors
- Save the expense of removing and replacing connectors
- Avoid poor connection related to removing factory connectors

Specifications

- | | |
|--------------------------|-----------------------------|
| • Body Material | Acetal |
| • Seal & Gasket Material | UV-Stabilized Buna-N Rubber |
| • Screws | Stainless Steel |



CableClam Installation Instructions

1. Drill the seal with a sharp drill the same size as the cable. Keep the hole wet during drilling. The hole will be slightly smaller than the cable insuring a tight fit.
2. Use a sharp razor knife to slit the seal from its edge to the center hole.
3. Fasten the deck ring to the deck using the flat head sheet metal screws and gasket.
4. Slip the compression ring on to the cable. Spread open the seal slit and insert the cable. Press the seal into the compression ring.
5. Screw the compression ring to the deck ring, tightening each of the pan head screws a few turns at a time. Take care not to overtighten the screws.