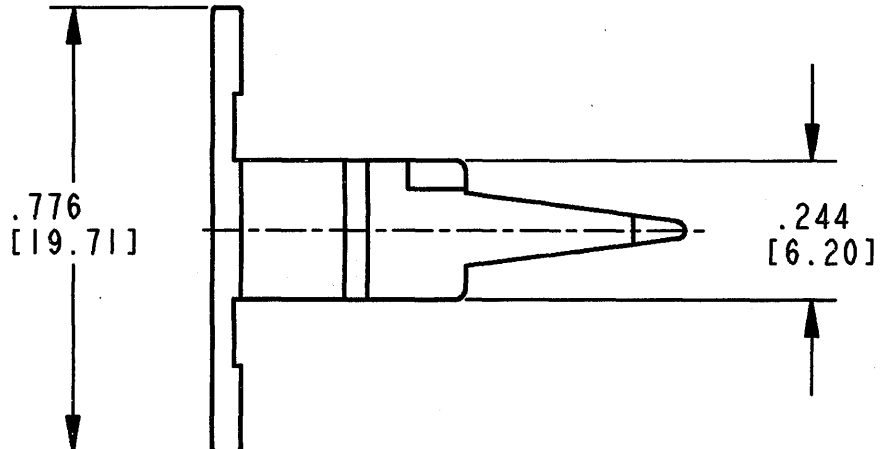
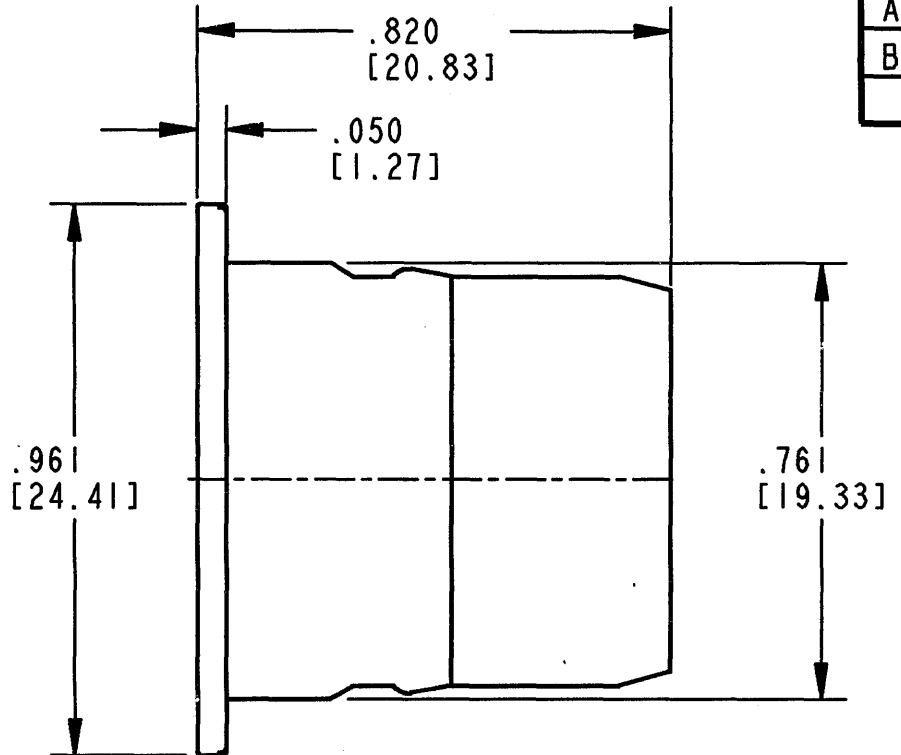
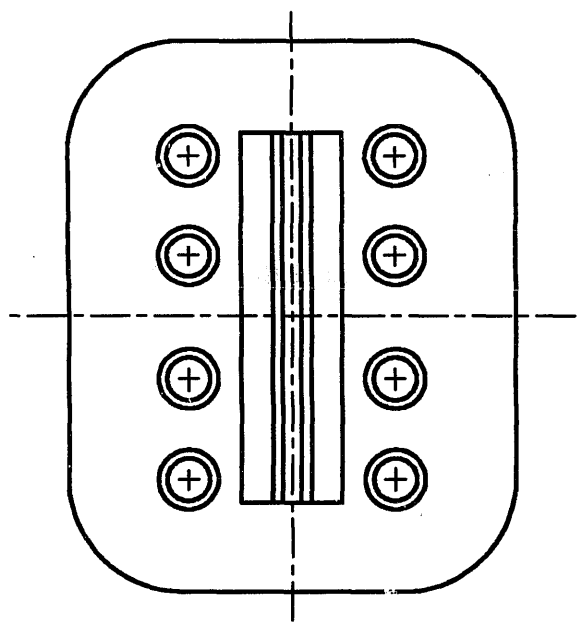


REV
B W8S

REVISIONS			
SYM	DESCRIPTION	DATE	APPROVED
NC	NEW RELEASE PER E.O. A6889	10/9/87	J. A.
A	REVISED PER E.O. A09299	2/12/90	J. A.
B	REVISED PER E.O. P17509	11-28-01	RDR



- 4. W8S WEDGE USED WITH DT06-08S* PLUG.
- 3. CONSULT FACTORY FOR APPLICATION.
- 2. DIMENSIONS ±.025 [.64] UNLESS OTHERWISE SPECIFIED.

NOTES: 1. ALL DIMENSIONS ARE IN INCHES [MILLIMETERS].

SIGNATURE & DATE	
DR	X. SANCHEZ 08NOV01
CHK	P. Kolinski 11/26/01
PE	T. Johnson 11/16/01
APPD	S. Beard 11-26-01
SCALE	NONE WT _____

WEDGE LOCK
FOR
8 WAY PLUG
COLOR: ORANGE
DT SERIES

ENVELOPE

CP	MATL. CODE
The Deutsch Company DEUTSCH I.P.D. 3850 INDUSTRIAL AVE. HEMET, CALIF. 92545	
B	W8S
DWG SIZE	CODE 11139 SHEET OF